

## Type ETO2 Controller for ice and snow melting



English	page 2
Deutsch	page 18
Polski	page 35
<i>Русский</i>	page 52



**CONTENTS**

Glossary . . . . .	Page	2
Introduction . . . . .	Page	3
Startup . . . . .	Page	4
Operation . . . . .	Page	6
Main menu . . . . .	Page	6
Display texts. . . . .	Page	7
Application info . . . . .	Page	8
Settings . . . . .	Page	9
Offset calibration . . . . .	Page	13
Factory settings . . . . .	Page	14
Troubleshooting . . . . .	Page	15
Illustrations . . . . .	Page	69

**GLOSSARY**

Zone 1, 2:	Independent heating zones in which ice and snow can be melted.
Encoder button:	Button which can be turned or pressed to easily configure the settings.
ETOG-55:	Ground sensor for detecting moisture and temperature.
ETOR-55:	Gutter sensor for detecting moisture.
ETF-744/99:	Outdoor sensor for detecting temperature.
Y/Δ:	Advanced 2-stage control of electric heating systems.
Afferrun:	The heat provided by the system, for a specified length of time, after the moisture/temperature signal has been eliminated by a heating cycle.

## INTRODUCTION

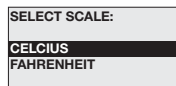
Type ETO2 is an electronic controller for fully automatic, economical ice and snow melting on outdoor areas and in gutters. Ice forms due to a combination of low temperature and moisture. ETO2 detects both temperature and moisture and the heating system will only be activated if a possibility of snow or ice is indicated by both parameters.

An easily operated encoder button and backlit graphic display ensure quick and easy configuration and simple indication of temperature, status, etc.

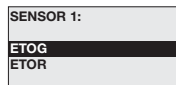
ETO2 is suitable for controlling electric heating cables in 1 or 2 zones. It also features advanced two-stage output control for economic operation.

In hydronic mode, the supply sensor maintains the required supply water temperature while the system is active. When heat is demanded, the circulation pump is activated and the valve is opened 20% for 1 minute to let the system stabilise. The main pump is then activated.

When there is no need for melting, the system activates the circulation pump for 1 minute every 15 minutes to check whether the return water temperature has dropped below the required "idle temp." If this is the case, the system fully activates to increase the return water temperature to the required level.

**STARTUP**

When ETO2 is switched on for the first time, Celsius or Fahrenheit must be selected. Turn the encoder button until the required temperature scale is highlighted. Then OK the selection by pressing the encoder button.

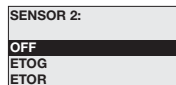


SENSOR 1 is shown on the display, allowing the type of sensor connected for input 1 to be selected:

ETOG : Ground sensor

ETOR : Gutter sensor + outdoor sensor

Then OK the selection by pressing the encoder button.



SENSOR 2 is then shown on the display, allowing the type of sensor connected for input 2 to be selected. If none sensor is connected for input 2, OFF must be selected.

<b>OUTDOOR SENSOR:</b>	
<b>OFF</b>	
<b>ETF</b>	

Select if outdoor sensor ETF is connected terminals 31-32.  
If none sensor ETF is connected, OFF must be selected. Press encoder button for OK.

<b>APPLICATION:</b>	
<b>ELECTRIC 1-ZONE</b>	
<b>ELECTRIC 2-ZONE</b>	
<b>ELECTRIC 2-STEP</b>	
<b>WATER BASED</b>	

Select the application type by turning the encoder button and pressing OK.  
**ELECTRIC 1-ZONE** : 1 zone electric heating control/simple waterbased.  
**ELECTRIC 2-ZONE** : 2 zones individual electrical heating control/simple waterbased.  
**ELECTRIC 2-STEP** : Advanced 2-stage electric heating control (Y/Δ) for 1 zone.  
**WATERBASED** : 1 zone waterbased heating control with supply water control.

Select the appropriate option and press OK. The system is now set up, and will begin operating fully automatically, in accordance with the pre-configured standard program, see **FACTORY SETTINGS**. Alternative settings can also be made, see **SETTINGS**.

<b>ZONE 1 HEAT</b>	<b>OFF</b>
<b>ZONE 2 HEAT</b>	<b>OFF</b>
<b>AFTERRUN 1</b>	<b>0.00</b>
<b>AFTERRUN 2</b>	<b>0.00</b>
<b>STANDBY</b>	<b>OFF</b>

Status and afterheat data for zones 1 and 2 are now shown on the display.

## OPERATION

ETO2 is equipped with an easily operated encoder button (turn and press) and a display which describes the current situation. The display is backlit and is illuminated by pressing the encoder button (OK). The illumination is automatically switched off after 30 seconds.

Press the encoder button and the main menu will be shown on the display.

Turn the button to scroll through the options. Not all the options are shown on the display at once, but they can be accessed by turning the encoder button.

Press OK to select a highlighted option.

## MAIN MENU

<b>ZONE 1</b>	<b>OFF</b>
<b>ZONE 2</b>	<b>OFF</b>
<b>SENSOR 1</b>	<b>##.##°C</b>
<b>SENSOR 2</b>	<b>##.##°C</b>
<b>MOIST 1</b>	<b>NO</b>
<b>MOIST 2</b>	<b>NO</b>
<b>OUT. TEMP</b>	<b>##.##°C</b>
<b>SUPPLY W.</b>	<b>##.##°C</b>
<b>RETURN W.</b>	<b>##.##°C</b>
<b>ALARM</b>	<b>NO</b>
<b>SHOW INFO</b>	
<b>SETUP</b>	
<b>RESTART</b>	
<b>EXIT</b>	

**DISPLAY TEXTS**

<b>ZONE 1</b>	<b>OFF</b>	Heating zone 1 active (ON) or inactive (OFF)
<b>ZONE 2</b>	<b>OFF</b>	Heating zone 2 active (ON) or inactive (OFF)
<b>SENSOR 1</b>	<b>##.##°C</b>	Sensor 1 (heated sensor) core temperature. Applies only when ETOG sensor is connected. NOTE: Not ambient temperature!
<b>SENSOR 2</b>	<b>##.##°C</b>	Sensor 2 (heated sensor) core temperature. Applies only when ETOG sensor is connected. NOTE: Not ambient temperature!
<b>MOIST 1</b>	<b>NO</b>	Sensor 1 moisture status. YES / NO / Blank. Blank will be shown if temperature is above Set Temp or the system is in Afterrun mode.
<b>MOIST 2</b>	<b>NO</b>	Sensor 2 moisture status. YES / NO / Blank. Blank will be shown if temperature is above Set Temp or the system is in Afterrun mode.
<b>OUT TEMP</b>	<b>##.##°C</b>	Ambient outdoor temperature. Applies only when ETF sensor is connected.
<b>SUPPLY W.</b>	<b>##.##°C</b>	Supply water temperature, only waterbased application
<b>RETURN W.</b>	<b>##.##°C</b>	Return water temperature, only waterbased application

**ALARM** **NO** Fault message, fault type will be displayed. Red LED on front of unit will flash.

## APPLICATION INFO

### SHOW INFO

**APP:** **E. 1-ZONE** Application type: electric or water-based heating

**SW VERSION** **1.00** Software version

**SENSOR 1** **ETOG** Sensor type, sensor 1

**SENSOR 2** **OFF** Sensor type, sensor 2

**SENSOR ETF** **OFF** ETF sensor connected

**EXIT** Return to main menu



## SETTINGS

Please note that incorrect sensor setup may lead to poor or lacking ice and snow melting.

Press OK and a submenu will be shown on the display.

Select the parameter to be set and press OK.

### SETUP

**FORCE HEAT**    **OFF**

Manual start of forced heat. Press OK and select ON to start Forced heat. ETO2 controller will heat in the pre-programmed afterrun time, see AFTERRUN 1 and 2.

**SELECT SCALE**    **C**

Whether temperature is to be displayed in Celsius (C) or Fahrenheit (F) can be selected here. Select the required scale and press OK. Press OK to return to the SETUP menu.

- SET TEMP 1 3.0C** Set temperature for Zone 1: The temperature at which the ice and snow melting system will become active can be set here. The temperature setting can be adjusted from +50 / -20°C (122 / -4°F). Set the required temperature and press OK.
- SET TEMP 2 3.0C** Set temperature for Zone 2: The temperature at which the ice and snow melting system will become active can be set here. The temperature setting can be adjusted from +50 / -20°C (122 / -4°F). Set the required temperature and press OK.
- OFF TEMP 1 OFF** The lowest operating temperature for Zone 1 can be set here. Below this temperature, the system will enter standby mode. The adjustment range goes down to -20°C/OFF (-3.9°F/OFF). OFF = no limit. To change the minimum cut-off temperature, press OK, turn the encoder button to the desired value and confirm with OK.
- OFF TEMP 2 OFF** The lowest operating temperature for Zone 2 can be set here. The adjustment range goes down to -20°C/OFF (-3.9°F/OFF). OFF = no limit. To change the minimum cut-off temperature, press OK, turn the encoder button to the desired value and confirm with OK.
- AFTERRUN 1 2:00** Afterrun time Zone 1 : An afterheat duration of between 0 and 18 hours can be set here. The system will continue to provide heat for the specified time after the moisture/temperature signal has been eliminated by a heating cycle. Use the encoder button to set the required afterrun time and press OK.

**AFTERRUN 2** 2:00

Afterrun time Zone 2 : An afterheat duration of between 0 and 18 hours can be set here. Use the encoder button to set the required afterrun time and press OK.

**OFFSET T1** 0.0C

Zone 1 temperature can be calibrated here. With ETOG-55 sensor, the temperature shown on the ETO2 display is always the core temperature of the sensor. For calibration, please see page 13.

**OFFSET T2** 0.0C

Zone 2 temperature can be calibrated here. With ETOG-55 sensor, the temperature shown on the ETO2 display is always the core temperature of the sensor. For calibration, please see page 13.

**OFFSET OUT.** 0.0C

Outdoor temperature can be calibrated here. The temperature, recorded by the ETF outdoor sensor, can be adjusted so that the exact temperature is displayed on ETO2. Measure the temperature beside the sensor using a thermometer. Adjust the necessary offset using the encoder button. Press OK.

**MIN WATER** 5.0C

The minimum return water temperature can be set here. Set the required minimum temperature and press OK.  
This menu option is only available when water-based heating is used.

**MAX WATER** 55.0C

The maximum supply water temperature can be set here. Set the required maximum temperature and press OK.  
This menu option is only available when water-based heating is used.

**SENSOR HEAT AUTO**

In auto mode, sensor heating is switched off during periods when snow melting is active. In special options or extreme cold weather the sensor heat can be selected on continuously. Select ON and press OK.

**MOIST CTRL ON**

The moist control on sensor can be switched off here. The thermostat will only control snow and ice melting after the set temperature, see SET TEMP. Select OFF for switching off the moist control and press OK.

Note that energy consumption/costs will rise with lacking moisture control.

**SENSITIVITY NORM**

Sensor sensitivity can be adjusted in 5 steps: MIN - LOW - NORM - HIGH - MAX. To change sensitivity, press OK, turn the encoder button to the desired setting and confirm with OK.

**FACTORY RESET**

All ETO2 factory settings can be restored here. Selecting this option deletes all customised settings.

**REINSTALL**

REINSTALL  
PASSWORD      **xxxx**

Whether setup failure in startup menu, or new hardware connection has been done, The primare setup must be changed in STARTUP menu. Select PASSWORD and turn the encoder button to the factory code (1202) The controller will then return to the startup menu, see STARTUP.

**EXIT**

Select this option and press OK to return to the main menu.

**RESTART**

When changing the settings or require a new process start, the ETO2 can be restarted in this menu.

**RESTART** Restart operation. Keeping your current settings. The ETO2 will go to the initial status display.

**OFFSET CALIBRATION**

If it is necessary to calibrate the temperature measured by the ETOG sensor, please follow the steps below:

1. Disconnect the sensor from terminals 11 and 12 (sensor heating) of the ETO2.
2. Wait a few hours until the sensor has acquired the same temperature as the ground.
3. Measure the real ground/sensor temperature and compare it with the temperature shown on the ETO2 display.
4. Program the offset for the sensor concerned to match the difference between the two temperatures (displayed/real). Adjust the necessary offset using the encoder button. Press OK.
5. Reconnect the sensor to terminals 11 and 12 of the ETO2.

NOTE: With ETOG-55 sensor, the temperature shown on the ETO2 display is always the core temperature of the sensor.

**FACTORY SETTINGS**

<b>SETUP</b>	<b>FACTORY SETTINGS</b>	<b>OWN SETTINGS</b>
Application	Electric	
Zone 1	ETOG	
Zone 2	OFF	
Select scale	Celsius	
Afterrun time Zone 1	2.00 hours	
Afterrun time Zone 2	2.00 hours	
Temp. offset Zone 1	0.0°C / 0.0°F	
Temp. offset Zone 2	0.0°C / 0.0°F	
Temp. offset ETF	0.0°C / 0.0°F	
Temperature setpoint Zones 1+2	3.0°C / 37.4°F	
OFF temperature Zones 1+2	OFF	
Sensor heating Zones 1+2	AUTO	
Moisture control Zones 1+2	ON	
Sensitivity Zones 1+2	NORM	
Min. water temperature	5°C / 41°F	
Max. water temperature	55°C / 131°F	

## TROUBLESHOOTING

By errors in the snow melting system, it is recommendable to check the setup of the ETO2. Activate the menu by pressing the adjustment knob, press SHOW INFO and readout the programmed application. By errors in the setup, activate REINSTALL with factory code 1202.

Check that all connections are placed correctly, and that cables are fastened in the clamps.

For more information on FAQ, see our website [www.ojelectronics.com / support / FAQ - Snowmelting](http://www.ojelectronics.com/support/FAQ-Snowmelting).

### Ice/snow does not melt

- **Does the display show HEAT ON in zone 1 / 2?**

#### **YES:**

- o Wait 1-2 hours.
- o Check under the snow, if the snow is beginning to melt the system is OK.
- o Check heating cables for defects, bad connections, incorrect connections.
- o It is too cold for snow melting (power/m<sup>2</sup>) or undersized heating cables/ water heating system.

- **Does the display show HEAT ON in zone 1 / 2?**

**NO:**

- The temperature is higher than SET TEMP. Adjust SET TEMP to higher temperature.
- The snow around the ground sensor is melting/drifted snow has exposed the sensor. AFTERRUN time must be increased. Alternatively, FORCED HEAT can be activated.
- Igloo effect around the sensor. The ground sensor has melted an insulated hollow under the snow. Activate FORCED HEAT or, alternatively, set MOIST SENSOR to OFF.
- The temperature is lower than the OFF TEMP setting.  
Depending on dimensioning, the system has a lower temperature limit, at which the system can melt the snow. Try melting the snow with FORCE HEAT, before OFF TEMP is changed.

**The heat does not shut off after ice/snow melting**

- Afterrun time is too long – reduce AFTERRUN time and activate RESTART in the menu.
- Moisture detection in the ETOG/ETOR sensor is turned off – set MOIST CTRL to ON in the menu.



If the ALARM button flashes red, one of the following errors has occurred. This can be displayed under the menu: ALARM.

- |                           |  |
|---------------------------|--|
| <b>"RETURN TEMP LOW"</b>  | - Water temperature on return pipe is too low.                                       |
| <b>"SUPPLY TEMP HIGH"</b> | - Water temperature on supply pipe is too high.                                      |
| <b>"RETURN SENSOR"</b>    | - Return sensor defective.   |
| <b>"SUPPLY SENSOR"</b>    | - Supply sensor defective.   |
| <b>"TEMP SENSOR 1"</b>    | - Temperature sensor in ground or roof sensor 1 defective.                           |
| <b>"TEMP SENSOR 2"</b>    | - Temperature sensor in ground or roof sensor 1 defective.                           |
| <b>"OUTDOOR SENSOR"</b>   | - Outdoor sensor defective.  |
| <b>"SENSOR HEATER"</b>    | - Short circuit of heating element in ground or roof sensor.                         |
| <b>"FROST PROTECT"</b>    | - Active frost protection due to low return temperature<br>(waterbased systems only) |

**INHALT**

Wortliste . . . . .	Seite	18
Einführung . . . . .	Seite	19
Inbetriebnahme . . . . .	Seite	20
Betrieb . . . . .	Seite	22
Hauptmenü . . . . .	Seite	22
Displaytexte . . . . .	Seite	23
Anwendungsinformation . . . . .	Seite	24
Einstellungen . . . . .	Seite	25
Abgleich, Kalibrierung . . . . .	Seite	29
Werkseinstellungen . . . . .	Seite	31
Fehlersuche und -behebung . . . . .	Seite	32
Abbildungen . . . . .	Seite	69

**WORTLISTE**

Zone 1, 2:	Unabhängige Heizzonen, in welchen Eis und Schnee geschmolzen werden soll.
Drehcodierschalter:	Dreh- und Druckknopf zum einfachen Konfigurieren der Einstellungen.
ETOG-55:	Bodenfühler zur Erfassung von Feuchtigkeit und Temperatur.
ETOR-55:	Dachrinnenfühler zur Erfassung von Feuchtigkeit
ETF-744/99:	Außenfühler zur Temperaturerfassung.
Y/Δ:	Erweiterte 2-Stufen-Schaltung der Elektroheizanlage.
Nachheizung:	Der von der Anlage für eine vorgegebene Dauer verlängerte Heizvorgang, nach dem das Feuchtigkeits-/Temperatursignal während eines Heizvorgangs verschwindet.

## EINFÜHRUNG

Typ ETO2 ist ein elektronischer Regler zur vollautomatischen, wirtschaftlichen Eis- und Schneeschmelze in Außenbereichen und Dachrinnen. Eis bildet sich bei einer bestimmten Konstellation von niedriger Temperatur und Feuchtigkeit. ETO2 erfasst sowohl die Temperatur als auch die Feuchtigkeit, und die Heizanlage wird nur, wenn durch beide Parameter ein mögliches Vorkommen von Schnee oder Eis angezeigt wird, aktiviert.

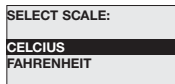
Ein einfach bedienbarer Drehcodierschalter und ein hinterleuchtetes Display gewährleisten eine schnelle und problemlose Konfiguration und die simple Anzeige von Temperatur, Betriebszustand, usw.

ETO2 eignet sich zur Steuerung von elektrischen Heizkabeln in 1 oder 2 Zonen. Verfügt auch über erweiterte 2-Stufen-Ausgangsschaltung für wirtschaftlichen Betrieb.

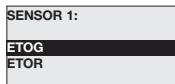
Im Hydronik-Modus sorgt der Vorlauffühler bei aktiver Anlage für die Aufrechterhaltung der vorgegebenen Wasservorlauftemperatur. Bei Heizbedarf wird die Umlaufpumpe aktiviert und das Ventil zur Stabilisierung der Anlage für 1 Minute 20 % geöffnet. Danach wird die Hauptpumpe aktiviert.

Besteht kein Schmelzbedarf, wird die Umlaufpumpe von der Anlage alle 15 Minuten für jeweils 1 Minute aktiviert, um zu kontrollieren, ob die Wasserrücklauftemperatur unter die erforderliche „Leerlauftemp.“ gesunken ist. Ist dies der Fall, wird die Anlage voll aktiviert, um die Wasserrücklauftemperatur auf das erforderliche Niveau anzuheben.

## INBETRIEBNAHME



Beim erstmaligen Einschalten von ETO2 muss Celsius oder Fahrenheit gewählt werden. Den Drehcodierschalter drehen, bis die gewünschte Temperaturskala farblich hervorgehoben wird. Den Drehcodierschalter drücken um die Einstellung zu bestätigen.

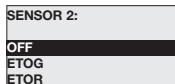


Am Display wird SENSOR 1 angezeigt, wonach der an Eingang 1 angeschlossene Fühlertyp eingestellt werden kann:

ETOG: Bodenfühler

ETOR: Dachrinnenfühler + Außenfühler

Den Drehcodierschalter drücken um die Einstellung zu bestätigen.



Am Display wird jetzt SENSOR 2 angezeigt, wonach der an Eingang 2 angeschlossene Fühlertyp eingestellt werden kann. Ist kein Fühler an Eingang 2 angeschlossen, ist OFF einzustellen.

OUTDOOR SENSOR:
<b>OFF</b>
ETF

Einzustellen, wenn Außenfühler ETF an die Klemmen 31-32 angeschlossen ist. Ist kein ETF-Fühler angeschlossen, ist OFF einzustellen. Den Drehcodierschalter zur Bestätigung drücken.

APPLICATION:
<b>ELECTRIC 1-ZONE</b>
ELECTRIC 2-ZONE
ELECTRIC 2-STEP
WATER BASED

Den Drehcodierschalter auf den gewünschten Anwendungstyp drehen und durch Drücken bestätigen.

ELECTRIC 1-ZONE: 1-Zonen-Elektroheizungsregelung.  
 ELECTRIC 2-ZONE: Individuelle 2-Zonen-Elektroheizungsregelung.  
 ELECTRIC 2-STEP: Erweiterte 2-Stufen-Elektroheizungsregelung (Y/Δ ) für eine Zone.  
 WATERBASED: Wasserbasierte 1-Zonen-Heizungsregelung

Die zutreffende Option wählen und durch Drücken bestätigen. Die Anlage ist jetzt eingestellt und beginnt den vollautomatischen Betrieb gemäß dem vorkonfigurierten Standardprogramm, siehe WERKSEINSTELLUNGEN. Alternative Einstellungen können ebenfalls vorgenommen werden, siehe EINSTELLUNGEN.

ZONE 1 HEAT	OFF
ZONE 2 HEAT	OFF
AFTERRUN 1	0.00
AFTERRUN 2	0.00
STANDBY	OFF

Betriebszustand und Nachheizungsdaten für die Zonen 1 und 2 werden jetzt am Display angezeigt.

## BETRIEB

ETO2 ist mit einem einfach bedienbaren Drehcodierschalter (Dreh- und Druckknopf) und einem die aktuelle Situation anzeigenden Display ausgestattet. Das Display ist hinterleuchtet und wird durch Drücken des Drehcodierschalters aktiviert. Das Schirmbild erlischt automatisch nach 30 Sekunden.

Den Drehcodierschalter drücken um das Hauptmenü am Display anzuzeigen.

Den Knopf drehen um die Optionen durchzuscrollen. Nicht alle Optionen werden gleichzeitig angezeigt, sind aber durch Drehen des Drehcodierschalters zugänglich.

Die Auswahl einer farblich hervorgehobenen Option zur Bestätigung drücken.

## HAUPTMENÜ

ZONE 1	OFF
ZONE 2	OFF
SENSOR 1	##.##°C
SENSOR 2	##.##°C
MOIST 1	NO
MOIST 2	NO
OUT. TEMP	##.##°C
SUPPLY W.	##.##°C
RETURN W.	##.##°C
ALARM	NO
SHOW INFO	
SETUP	
RESTART	
EXIT	

## DISPLAYTEXTE

<b>ZONE 1</b>	<b>OFF</b>	Heizzone 1 aktiv (ON) oder inaktiv (OFF)
<b>ZONE 2</b>	<b>OFF</b>	Heizzone 2 aktiv (ON) oder inaktiv (OFF)
<b>SENSOR 1</b>	<b>##.##°C</b>	Fühler-1-Kerntemperatur des beheizten Fühlers, nur gültig bei zugeordnetem/installiertem ETOG-Fühler. HINWEIS: Nicht die Umgebungstemperatur!
<b>SENSOR 2</b>	<b>##.##°C</b>	Fühler-2-Kerntemperatur des beheizten Fühlers, nur gültig bei zugeordnetem/installiertem ETOG-Fühler. HINWEIS: Nicht die Umgebungstemperatur!
<b>MOIST 1</b>	<b>NO</b>	Fühler-1-Feuchtigkeitszustand. „YES / NO / Blank“. „Blank“ wird angezeigt, wenn die Temperatur über der Sollwerttemp. liegt oder die Anlage sich im Nachheizmodus befindet.
<b>MOIST 2</b>	<b>NO</b>	Fühler-1-Feuchtigkeitszustand. „YES / NO / Blank“. „Blank“ wird angezeigt, wenn die Temperatur über der Sollwerttemp. liegt oder die Anlage sich im Nachheizmodus befindet.
<b>OUT TEMP</b>	<b>##.##°C</b>	Außentemperatur, nur gültig bei zugeordnetem/installierten ETF-Fühler.
<b>SUPPLY W.</b>	<b>##.##°C</b>	Vorlauftemperatur, nur wasserbasierte Anwendung
<b>RETURN W.</b>	<b>##.##°C</b>	Rücklauftemperatur, nur wasserbasierte Anwendung
<b>ALARM</b>	<b>NO</b>	Störmeldung, Fehlertyp wird angezeigt. Rote LED auf der Front blinkt.

**ANWENDUNGSINFORMATION****SHOW INFO**

**APP:** E. 1-ZONE Anwendungstyp: Elektrische oder wasserbasierte Heizung

**SW VERSION** 1.00 Softwareversion

**SENSOR 1** ETOG Fühlertyp, Fühler 1

**SENSOR 2** OFF Fühlertyp, Fühler 2

**SENSOR ETF** OFF ETF-Fühler angeschlossen

**EXIT** Rückkehr zum Hauptmenü



## EINSTELLUNGEN

Bitte beachten, dass fehlerhafte Fühlereinstellung zu unzureichender oder fehlender Eis- und Schneeschmelze führen kann.

Den Drehcodierschalter drücken um ein Untermenü am Display anzuzeigen.

Den einzustellenden Parameter wählen und auf den Knopf drücken.

### SETUP

**FORCE HEAT**    **OFF**

Manueller Start von Zwangsheizung. Auf den Knopf drücken und ON wählen um die Zwangsheizung zu starten. Der ETO2-Regler wird für die Dauer der vorprogrammierten Nachheizzeit die Heizung aktivieren, siehe AFTERRUN 1 und 2.

**SELECT SCALE**    **C**

Hier ist einzustellen, ob die Temperatur in Grad Celsius (C) oder Fahrenheit (F) angezeigt werden soll. Die gewünschte Skala wählen und durch Drücken bestätigen. Den Knopf drücken um zum Menü SETUP zurückzukehren.

**SET TEMP 1**    **3.0C**

Sollwerttemperatur für Zone 1: Die Temperatur, bei welcher die Eis- und Schneeschmelzanlage aktiv wird, kann hier eingestellt werden. Die Sollwerttemperatur ist zwischen +50 und -20 °C (122 und -4 °F) einstellbar. Die gewünschte Temperatur einstellen und durch Drücken bestätigen.

- SET TEMP 2**    **3.0C**    Sollwerttemperatur für Zone 2: Die Temperatur, bei welcher die Eis- und Schneeschmelzanlage aktiv wird, kann hier eingestellt werden. Die Sollwerttemperatur ist zwischen +50 und -20 °C (122 und -4 °F) einstellbar. Die gewünschte Temperatur einstellen und durch Drücken bestätigen.
- OFF TEMP 1**    **OFF**    Die niedrigste Betriebstemperatur für Zone 1 kann hier eingestellt werden. Unterhalb dieser Temperatur befindet sie sich im Bereitschaftsmodus. Der Einstellbereich geht bis hinunter auf -20 °C/OFF (-3,9 °F/OFF). OFF = unbegrenzt. Zum Ändern der Abschalttemperatur OK betätigen und den Drehcodierschalter auf den gewünschten Wert einstellen, mit OK bestätigen.
- OFF TEMP 2**    **OFF**    Die niedrigste Betriebstemperatur für Zone 2 kann hier eingestellt werden. Der Einstellbereich geht bis hinunter auf -20 °C/OFF (-3,9 °F/OFF). OFF = unbegrenzt. Zum Ändern der Abschalttemperatur OK betätigen und den Drehcodierschalter auf den gewünschten Wert einstellen, mit OK bestätigen.
- AFTERRUN 1**    **2:00**    Nachlaufzeit Zone 1: Eine Nachheizzeit von 0 bis 18 Stunden kann hier eingestellt werden. Die Anlage wird, nach dem das Feuchtigkeits-/Temperatursignal während eines Heizvorgangs verschwindet, für die vorgegebene Dauer den Heizvorgang verlängern. Mit dem Drehcodierschalter die gewünschte Nachheizzeit einstellen und durch Drücken bestätigen.

- AFTERRUN 2 2:00** Nachlaufzeit Zone 2: Eine Nachheizzeit von 0 bis 18 Stunden kann hier eingestellt werden. Mit dem Drehcodierschalter die gewünschte Nachheizzeit einstellen und durch Drücken bestätigen.
- OFFSET T1 0.0C** Hier lässt sich die Temperatur in Zone 1 kalibrieren. Beim ETOG-55-Fühler ist die am ETO2-Display angezeigte Temperatur immer die Kerntemperatur des Fühlers. Betreffend Kalibrierung, siehe Seite 29.
- OFFSET T2 0.0C** Hier lässt sich die Temperatur in Zone 2 kalibrieren. Beim ETOG-55-Fühler ist die am ETO2-Display angezeigte Temperatur immer die Kerntemperatur des Fühlers. Betreffend Kalibrierung, siehe Seite 29.
- OFFSET OUT. 0.0C** Hier lässt sich die Außentemperatur kalibrieren. Die vom ETF-Außenfühler registrierte Temperatur lässt sich justieren, so dass die exakte Temperatur am ETO2 angezeigt wird. Mit einem Thermometer die Temperatur neben dem Fühler messen. Den erforderlichen Abgleich mit dem Drehcodierschalter vornehmen. Durch Drücken bestätigen.
- MIN WATER 5.0C** Die minimale Rücklauftemperatur lässt sich hier einstellen. Die gewünschte Mindesttemperatur einstellen und durch Drücken bestätigen. Diese Menüoption ist nur bei Anwendung von wasserbasierter Heizung verfügbar.

**MAX WATER 55.0C**

Die maximale Vorlauftemperatur lässt sich hier einstellen. Die gewünschte Maximaltemperatur einstellen und durch Drücken bestätigen. Diese Menüoption ist nur bei Anwendung von wasserbasierter Heizung verfügbar.

**SENSORHEAT AUTO**

Im Automatik-Modus wird die Fühlerheizung in Perioden aktiver Schneeschmelze abgeschaltet. Unter besonderen Umständen oder während extrem kalten Wetters lässt sich Dauerheizung einstellen. EIN wählen und OK betätigen.

**MOIST CTRL ON**

Die Feuchtigkeitsregelung lässt sich hier abschalten. Der Thermostat regelt danach nur mehr nach der Temperatureinstellung, siehe SET TEMP. Zum Abschalten der Feuchtigkeitsregelung AUS wählen und OK betätigen.

Bitte hohen Energieverbrauch/hohe Kosten bei fehlender Feuchtigkeitsregelung beachten.

**SENSITIVITY NORM**

Die Fühlerempfindlichkeit lässt sich in 5 Stufen einstellen: MIN – LOW – NORM – HIGH – MAX. Zur Änderung der Empfindlichkeit OK betätigen und den Drehcodierschalter auf die gewünschte Stufe einstellen, mit OK bestätigen.

**FACTORY RESET**

Alle ETO2-Werkseinstellungen lassen sich hier wiederherstellen. Bei Wahl dieser Option werden alle kundenspezifischen Einstellungen gelöscht.

**REINSTALL**

Sei es ein Einstellungsfehler im Startup-Menü, sei es der Anschluss neuer Hardware, muss die primäre Konfiguration im STARTUP-Menü geändert werden. PASSWORD wählen und den Drehcodierschalter auf den Fabrikcode (1202) drehen. Der Regler kehrt dann zum Startup-Menü zurück, siehe STARTUP.

REINSTALL  
PASSWORD

XXXX

**EXIT**

Um zum Hauptmenü zurückzukehren diese Option wählen und durch Drücken bestätigen.

**RESTART**

Nach Änderung der Einstellungen oder bei erforderlichem Neustart kann ETO2 mit diesem Menü neu gestartet werden.

**RESTART**

Betrieb neu starten. Gegenwärtige Einstellungen werden beibehalten. ETO2 wechselt in die ursprüngliche Zustandsanzeige.

**ABGLEICH, KALIBRIERUNG**

Ist eine Kalibrierung der vom ETOG-Fühler gemessenen Temperatur erforderlich, bitte folgende Schritte beachten:

1. Den Fühler von den Klemmen 11 und 12 (Fühlerheizung) des ETO2 abklemmen.
2. Einige Stunden warten, bis der Fühler die gleiche Temperatur wie der Boden angenommen hat.
3. Die tatsächliche Boden-/Fühler Temperatur messen und mit der am ETO2-Display angezeigten Temperatur vergleichen.

4. Den der Differenz zwischen den beiden Temperaturen (angezeigt/tatsächlich) entsprechenden Abgleich für den betreffenden Fühler programmieren. Den erforderlichen Abgleich mit dem Drehcodierschalter vornehmen. OK betätigen.
5. Den Fühler wieder an die Klemmen 11 und 12 des ETO2 anschließen.

HINWEIS: Beim ETOG-55-Fühler ist die am ETO2-Display angezeigte Temperatur immer die Kerntemperatur des Fühlers.

**WERKSEINSTELLUNGEN**

SETUP	WERKSEINSTELLUNGEN	EIGENE EINSTELLUNGEN
Anwendung	Elektrisch	
Zone 1	ETOG	
Zone 2	AUS	
Skalenwahl	Celsius	
Nachheizzeit Zone 1	2,00 Stunden	
Nachheizzeit Zone 2	2,00 Stunden	
Temp.Abgleich Zone 1	0,0 °C / 0.0°F	
Temp.Abgleich Zone 2	0,0 °C / 0.0°F	
Temp.Abgleich ETF	0,0 °C / 0.0°F	
Sollwerttemperatur Zone 1+2	3,0 °C / 37.4°F	
Abschalttemperatur Zone 1+2	OFF	
Fühlerheizung Zone 1+2	AUTO	
Feuchtigkeitssteuerung Zone 1+2	ON	
Empfindlichkeit Zone 1+2	NORM	
Min. Wassertemperatur	5 °C / 41°F	
Max. Wassertemperatur	55 °C / 131°F	

## FEHLERSUCHE UND -BEHEBUNG

Sollten Fehler in der Schneeschmelzanlage auftreten, bitte zuerst die Einstellungen des ETO2 checken. Das Menü durch Drücken des Einstellknopfs aktivieren und zur Anzeige der Anwendungseinstellungen SHOW INFO (Informationsanzeige) betätigen. Bei Fehlern in der Einstellung, REINSTALL (Wiederherstellung) unter Anwendung des Werkscodes 1202 aktivieren.

Auf korrekte Anschlüsse kontrollieren und ob alle Kabel sicher in den Klemmen befestigt sind.

FAQ (häufig gestellte Fragen) finden sich auf unserer Website: <http://ojelectronics.com/FAQ---Snowmelting-4040.aspx>.

### Eis/Schnee schmilzt nicht

- **Wird am Display HEAT ON (Heizung ein) in Zone 1/2 angezeigt?**

#### JA:

- o 1-2 Stunden warten.
- o Unter der Schneeschicht kontrollieren. Beginnt der Schnee zu schmelzen, ist die Anlage OK.
- o Die Heizkabel auf Defekt und schlechte oder fehlerhafte Verbindung überprüfen.
- o Möglicherweise ist es zu kalt zum Schneeschmelzen (ungenügende Leistung/m<sup>2</sup>), d. h. die Heizkabel oder die wasserbasierte Heizanlage ist unterdimensioniert.



- **Wird am Display HEAT ON (Heizung ein) in Zone 1/2 angezeigt?**

**NEIN:**

- o Die Temperatur ist höher als SET TEMP (Temp.Sollwert). SET TEMP (Temp.Sollwert) auf höhere Temperatur einstellen.
- o Der Schnee im Bereich des Bodenfühlers ist geschmolzen oder Schneefegen hat den Fühler freigelegt. AFTERRUN (Nachlaufzeit) erhöhen. FORCED HEAT (Zwangsheizung) kann wahlweise aktiviert werden.
- o Um den Fühler ist ein Iglueffekt entstanden. Beim Schmelzen hat sich unter dem Schnee um den Bodenfühler ein isolierter Hohlraum gebildet. FORCED HEAT (Zwangsheizung) aktivieren oder alternativ MOIST SENSOR (Feuchtigkeitsfühler) auf OFF einstellen.
- o Die Temperatur ist niedriger als die eingestellte OFF TEMP (Abschalttemp.). Abhängig von der Heizleistung kann die Anlage eine niedrigere Temperaturgrenze haben, bei welcher der Schnee geschmolzen wird. Vor Änderung der OFF TEMP (Austemp.) den Schnee mit FORCED HEAT (Zwangsheizung) zu schmelzen versuchen.

**Die Heizung schaltet nicht nach der Eis-/Schneeschemelze ab.**

- o Die AFTERRUN-Zeit (Nachlaufzeit) ist zu lang. Die Nachlaufzeit verkürzen und RESTART (Neustart) im Menü aktivieren.
- o Die Feuchtigkeitserfassung im ETOG/ETOR-Fühler ist abgeschaltet – MOIST CTRL ON im Menü aktivieren.

Blinkt der rote ALARM-Knopf, ist einer der folgenden Fehler entstanden. Eine entsprechende Meldung wird im ALARM-Menü angezeigt:

- "RETURN TEMP LOW"** - Rücklaufwassertemperatur zu niedrig.
- "SUPPLY TEMP HIGH"** - Vorlaufwassertemperatur zu hoch.
- "RETURN SENSOR"** - Rücklauffühler defekt.
- "SUPPLY SENSOR"** - Vorlauffühler defekt.
- "TEMP SENSOR 1"** - Temperaturfühler 1 im Boden oder am Dach defekt.
- "TEMP SENSOR 2"** - Temperaturfühler 2 im Boden oder am Dach defekt.
- "OUTDOOR SENSOR"** - Außenfühler defekt.
- "SENSOR HEATER"** - Heizelement im Boden oder am Dach kurzgeschlossen.
- "FROST PROTECT"** - Frostschutz aktiv wegen niedriger Rücklauftemperatur (nur bei wasserbasierten Heizanlagen).

**SPIS TREŚCI**

Wyjaśnienie pojęć . . . . .	Strona 35
Wprowadzenie . . . . .	Strona 36
Rozruch . . . . .	Strona 37
Obsługa . . . . .	Strona 39
Menu główne . . . . .	Strona 39
Komunikaty na wyświetlaczu . . . . .	Strona 40
Informacje o zastosowaniu . . . . .	Strona 41
Ustawienia . . . . .	Strona 42
Kalibracja przesunięcia temperatury . . . . .	Strona 47
Ustawienia fabryczne . . . . .	Strona 48
Rozwiązywanie problemów . . . . .	Strona 49
Ilustracje . . . . .	Strona 69

**WYJAŚNIENIE POJĘĆ**

Strefa 1, 2:	Niezależne strefy, z których usuwany jest śnieg i lód poprzez jego roztopienie.
Przycisk programujący:	Przycisk, którego naciskanie lub przekręcanie umożliwia łatwą zmianę ustawień.
ETOG-55:	Czujnik gruntowy do pomiaru temperatury i wykrywania wilgoci.
ETOR-55:	Rynnowy czujnik wilgotności.
ETF-744/99:	Zewnętrzny czujnik temperatury.
Y/Δ:	Zaawansowana dwustopniowa kontrola elektrycznych układów grzewczych.
Żądany czas ogrzewania:	Po ustaniu sygnalizacji niskiej temperatury i dużej wilgotności, tj. usunięciu śniegu i lodu przez układ grzewczy, ciepło nadal jest podawane przez określony przez użytkownika czas.

## WPROWADZENIE

ETO2 to elektroniczny kontroler, który umożliwia w pełni automatyczne, ekonomiczne usuwanie śniegu i lodu z rynien dachowych i powierzchni gruntowych poprzez jego roztopianie. Połączenie niskiej temperatury i wilgoci powoduje tworzenie się lodu. ETO2 mierzy temperaturę oraz wilgotność i uruchamia system rozpuszczania śniegu i lodu, tylko jeśli na jego obecność wskazują odczyty obu parametrów.

Prosty w użyciu przycisk programujący i graficzny podświetlany wyświetlacz zapewniają łatwą i szybką konfigurację oraz odczyt temperatury, statusu, itp.

ETO2 może sterować działaniem elektrycznych przewodów grzewczych w jednej lub dwóch strefach. Posiada również zaawansowaną funkcję dwustopniowej kontroli mocy, która zwiększa ekonomikę eksploatacji.

W przypadku ogrzewania wodnego, gdy system jest aktywny, czujnik wody zasilającej utrzymuje wymaganą temperaturę wody. Gdy występuje potrzeba dostarczenia ciepła, następuje uruchomienie pompy obiegowej i otwarcie zaworu o 20% na 1 minutę w celu ustabilizowania systemu. Następnie uruchamiana jest pompa główna.

Gdy nie występuje potrzeba usuwania śniegu i lodu, układ aktywuje pompę obiegową na 1 minutę co 15 minut, aby sprawdzić, czy temperatura wody powracającej nie spadła poniżej wymaganej "temperatury trybu jałowego". Jeśli tak się stało, następuje pełne uruchomienie układu, by podnieść temperaturę do właściwego poziomu.

**ROZRUCH**

SELECT SCALE:
<b>CELCIUS</b>
FAHRENHEIT

Przy pierwszym uruchomieniu ETO2 należy wybrać skalę temperatury – Celsjusza lub Fahrenheita. Przekręcać przycisk aż właściwa skala temperatury zostanie podświetlona. Następnie potwierdzić wybór poprzez naciśnięcie przycisku programującego (OK).

SENSOR 1:
<b>ETOG</b>
ETOR

Na wyświetlaczu pokazuje się SENSOR 1, co umożliwia wybór czujnika podłączonego do wejścia 1:

ETOG : Czujnik gruntowy

ETOR : Czujnik rynnowy plus czujnik zewnętrzny

Następnie potwierdzić wybór poprzez naciśnięcie przycisku programującego (OK).

SENSOR 2:
<b>OFF</b>
ETOG
ETOR

Na wyświetlaczu pokazuje się SENSOR 2, co umożliwia wybór czujnika podłączonego do wejścia 2. Jeżeli do wejścia 2 nie podłączono czujnika, należy wybrać OFF.

<b>OUTDOOR SENSOR:</b>	
<b>OFF</b>	
<b>ETF</b>	

Wybrać, jeśli do zacisków 31-32 podłączony jest zewnętrzny czujnik ETF. Jeżeli nie podłączono czujnika ETF, należy wybrać OFF. Potwierdzić wybór poprzez naciśnięcie przycisku programującego (OK).

<b>APPLICATION:</b>	
<b>ELECTRIC 1-ZONE</b>	
<b>ELECTRIC 2-ZONE</b>	
<b>ELECTRIC 2-STEP</b>	
<b>WATER BASED</b>	

Wybrać rodzaj zastosowania przekręcając przycisk i potwierdzić naciśnięciem (OK).  
**ELECTRIC 1-ZONE:** Jednostrefowa kontrola elektrycznego układu grzejnego.  
**ELECTRIC 2-ZONE:** Dwustrefowa niezależna kontrola elektrycznego układu grzejnego  
**ELECTRIC 2-STEP:** Zaawansowana 2-stopniowa regulacja ogrzewania elektrycznego (Y/Δ) dla 1 strefy grzewczej.  
**WATERBASED:** Jednostrefowa kontrola wodnego układu grzejnego.

Wybrać właściwą opcję i potwierdzić naciskając przycisk (OK). System jest teraz skonfigurowany i rozpocznie działanie w trybie w pełni automatycznym, zgodnie z wstępnie ustawionym standardowym programem, patrz **USTAWIENIA FABRYCZNE**. Ustawienia fabryczne można zmieniać, patrz **USTAWIENIA**.

<b>ZONE 1 HEAT</b>	<b>OFF</b>
<b>ZONE 2 HEAT</b>	<b>OFF</b>
<b>AFTERRUN 1</b>	<b>0.00</b>
<b>AFTERRUN 2</b>	<b>0.00</b>
<b>STANDBY</b>	<b>OFF</b>

Na wyświetlaczu widoczny jest teraz status i żądany czas ogrzewania dla stref 1 i 2.

## OBSŁUGA

ETO2 jest wyposażony w prosty w użyciu przycisk programujący (przyciskany i przekręcany) i wyświetlacz informujący o aktualnym statusie systemu. Wyświetlacz jest podświetlany – podświetlenie włącza wciśnięcie przycisku programującego (OK). Podświetlenie wyłącza się automatycznie po 30 sekundach.

Naciśnięcie przycisku programującego powoduje wyświetlenie się głównego menu. Przekręcanie przycisku umożliwia przeglądanie opcji menu. Nie wszystkie opcje są pokazywane jednocześnie, ale zawsze można uzyskać do nich dostęp przekręcając przycisk. Wybór podświetlonej opcji umożliwia naciśnięcie przycisku programującego (OK).

## MENU GŁÓWNE

ZONE 1	OFF
ZONE 2	OFF
SENSOR 1	##.##°C
SENSOR 2	##.##°C
MOIST 1	NO
MOIST 2	NO
OUT. TEMP	##.##°C
SUPPLY W.	##.##°C
RETURN W.	##.##°C
ALARM	NO
SHOW INFO	
SETUP	
RESTART	
EXIT	

**KOMUNIKATY NA WYŚWIETLACZU**

<b>ZONE 1</b>	<b>OFF</b>	Strefa 1 aktywna (ON) lub nieaktywna (OFF)
<b>ZONE 2</b>	<b>OFF</b>	Strefa 2 aktywna (ON) lub nieaktywna (OFF)
<b>SENSOR 1</b>	<b>##.##°C</b>	Czujnik 1 Temperatura ogrzanego rdzenia czujnika – tylko jeśli zamontowany jest czujnik ETOG . UWAGA: To nie jest temperatura otoczenia!
<b>SENSOR 2</b>	<b>##.##°C</b>	Czujnik 2 Temperatura ogrzanego rdzenia czujnika – tylko jeśli zamontowany jest czujnik ETOG . UWAGA: To nie jest temperatura otoczenia!
<b>MOIST 1</b>	<b>NO</b>	Status czujnika wilgotności 1. TAK / NIE / Puste pole. Puste pole pokazuje się, gdy temperatura przekracza wartość SET TEMP oraz w trakcie ustawionego czasu ogrzewania po usunięciu lodu.
<b>MOIST 2</b>	<b>NO</b>	Status czujnika wilgotności 2. TAK / NIE / Puste pole. Puste pole pokazuje się, gdy temperatura przekracza wartość SET TEMP oraz w trakcie ustawionego czasu ogrzewania po usunięciu lodu.
<b>OUT TEMP</b>	<b>##.##°C</b>	Temperatura otoczenia (na zewnątrz) – tylko jeśli zamontowany jest czujnik ETF.
<b>SUPPLY W.</b>	<b>##.##°C</b>	Odczyt temperatury wody zasilającej – tylko przy zastosowaniu wodnego układu grzejnego
<b>RETURN W.</b>	<b>##.##°C</b>	Odczyt temperatury wody powracającej – tylko przy zastosowaniu wodnego układu grzejnego



**ALARM** **NO** Komunikat o błędzie, wyświetla się rodzaj błędu. Czerwona dioda LED na przodzie urządzenia miga.

## INFORMACJE O ZASTOSOWANIU

### SHOW INFO

**APP:** **E. 1-ZONE** Rodzaj zastosowania: elektryczny lub wodny układ grzejny

**SW VERSION** **1.00** Wersja oprogramowania

**SENSOR 1** **ETOG** Typ czujnika, czujnik 1

**SENSOR 2** **OFF** Typ czujnika, czujnik 2

**SENSOR ETF** **OFF** Podłączony czujnik ETF

**EXIT** Powrót do menu głównego

## USTAWIENIA

Niewłaściwe ustawienia czujników mogą powodować małą skuteczność usuwania śniegu i lodu, bądź nawet jego brak.

Nacisnąć OK – na wyświetlaczu pokaże się podmenu.

Wybrać żądany parametr i nacisnąć OK.

### SETUP

**FORCE HEAT**    **OFF**

Uruchomienie ogrzewania w trybie ręcznym. Nacisnąć OK i wybrać ON, by uruchomić ogrzewanie w trybie ręcznym. Kontroler ETO2 będzie zapewniał ogrzewanie przez uprzednio zaprogramowany czas, patrz AFTERRUN 1 i 2.

**SELECT SCALE**    **C**

Tutaj można wybrać skalę temperatury – Celsjusza (C) lub Fahrenheita. (F) Wybrać właściwą skalę i nacisnąć OK. Nacisnąć OK by powrócić do menu ustawień.

**SET TEMP 1 3.0C**

Ustawienie temperatury dla strefy 1: Tutaj można ustawić temperaturę, w której system przeciwołodzienny będzie aktywny. Zakres nastawy wynosi od +50 do -20°C (od +122 do -4°F). Wybrać żądaną temperaturę i nacisnąć OK.

**SET TEMP 2 3.0C**

Ustawienie temperatury dla strefy 2: Tutaj można ustawić temperaturę, w której system przeciwołodzienny będzie aktywny. Zakres nastawy wynosi od +50 do -20°C (od +122 do -4°F). Wybrać żądaną temperaturę i nacisnąć OK.

**OFF TEMP 1 OFF**

Tutaj można ustawić najniższą temperaturę działania systemu dla strefy 1. W temperaturze niższej od ustawionej wartości system będzie przechodził w tryb czuwania. Dolna wartość zakresu nastawy wynosi -20°C/OFF (-3.9°F/OFF). OFF = brak ograniczenia. Aby zmienić dolną wartość temperatury odcięcia ogrzewania, należy nacisnąć OK, ustawić pokrętko w odpowiedniej pozycji (przy żądanej wartości) i potwierdzić ponownie wciskając OK.

**OFF TEMP 2 OFF**

Tutaj można ustawić najniższą temperaturę działania systemu dla strefy 2. Dolna wartość zakresu nastawy wynosi -20°C/OFF (-3.9°F/OFF). OFF = brak ograniczenia. Aby zmienić dolną wartość temperatury odcięcia ogrzewania, należy nacisnąć OK, ustawić pokrętko w odpowiedniej pozycji (przy żądanej wartości) i potwierdzić ponownie wciskając OK.

**AFTERRUN 1 2:00**

Żądany czas ogrzewania dla strefy 1: Tutaj można ustawić żądany czas ogrzewania – między 0 a 18 godzin. Po ustaniu sygnalizacji niskiej temperatury i dużej wilgotności, tj. usunięciu śniegu i lodu przez układ grzewczy, ciepło nadal będzie podawane przez określony przez użytkownika czas. Ustawić żądany czas ogrzewania przy pomocy przycisku programującego i nacisnąć OK.

**AFTERRUN 2 2:00**

Żądany czas ogrzewania dla strefy 2: Tutaj można ustawić żądany czas ogrzewania – między 0 a 18 godzin. Ustawić żądany czas ogrzewania przy pomocy przycisku programującego i nacisnąć OK.

**OFFSET T1 0.0C**

Tutaj można skalibrować temperaturę dla strefy 1. W przypadku czujnika ETOG-55, temperatura na wyświetlaczu ETO2 jest zawsze temperaturą rdzenia czujnika. Informacje na temat sposobu kalibracji znajdują się na stronie 47.

**OFFSET T2 0.0C**

Tutaj można skalibrować temperaturę w strefie 2. W przypadku czujnika ETOG-55, temperatura na wyświetlaczu ETO2 jest zawsze temperaturą rdzenia czujnika. Informacje na temat sposobu kalibracji znajdują się na stronie 47.

**OFFSET OUT. 0.0C**

Tutaj można skalibrować temperaturę zewnętrzną. Odczyt temperatury zarejestrowanej przez czujnik zewnętrzny ETF może być dostosowany tak, by wyświetlacz ETO2 wskazywał dokładną temperaturę. Oprócz czujnika temperaturę może mierzyć termometr. Niezbędne przesunięcie należy ustawić przy pomocy przycisku programującego. Nacisnąć OK.

**MIN WATER 5.0C**

Tutaj można ustawić minimalną temperaturę wody powracającej. Wybrać żadaną temperaturę i nacisnąć OK.

Ta opcja menu jest dostępna tylko jeśli używany jest wodny układ grzejny.

**MAX WATER 55.0C**

Tutaj można ustawić maksymalną temperaturę wody zasilającej. Wybrać żadaną temperaturę i nacisnąć OK.

Ta opcja menu jest dostępna tylko jeśli używany jest wodny układ grzejny.

**SENSORHEAT AUTO**

W trybie automatycznym ogrzewanie czujnika temperatury wyłącza się, gdy system przeciwbloedzeniowy jest aktywny. W szczególnych sytuacjach lub przy wyjątkowo niskiej temperaturze można wybrać opcję ciągłego ogrzewania. Wybrać ON i nacisnąć OK.

**MOIST CTRL ON**

Tutaj można wyłączyć czujnik wilgotności. Termostat będzie korzystał jedynie z ustawienia temperatury, patrz SET TEMP. Aby wyłączyć czujnik wilgotności, wybrać OFF i nacisnąć OK.

Należy pamiętać o wysokim zużyciu oraz koszcie energii związanym z brakiem kontroli wilgotności.

**SENSITIVITY    NORM**

Czułość czujnika można regulować w pięciostopniowej skali: MIN - LOW - NORM - HIGH - MAX (MIN. - NISKA - NORMALNA - WYSOKA - MAKS.) Aby zmienić czułość czujnika, należy nacisnąć OK, ustawić pokrętło w odpowiedniej pozycji i potwierdzić ponownie wciskając OK.

**FACTORY RESET**

Tutaj można przywrócić wszystkie ustawienia fabryczne ETO2. Wybór tej opcji kasuje wszystkie ustawienia wprowadzone przez użytkownika.

**REINSTALL****REINSTALL  
PASSWORD    XXXX**

Zmiana ustawień głównych w menu ROZRUCH jest konieczna w razie wystąpienia błędów w ustawieniach lub podłączenia nowych elementów układu. Wybrać PASSWORD. Przyciskiem programującym wybrać kod fabryczny (1202). Kontroler powróci do menu rozruchowego, patrz ROZRUCH.

**EXIT**

Wybrać tę opcję i nacisnąć OK by powrócić do głównego menu.

**RESTART**

W tym menu można zrestartować ETO2 w razie potrzeby zmiany ustawień lub inicjalizacji nowego procesu.

**RESTART**

Operacja restartu. Zachowanie aktualnych ustawień. ETO2 wyświetli ekran statusu początkowego.

## KALIBRACJA PRZESUNIĘCIA TEMPERATURY

Jeśli zachodzi konieczność skalibrowania pomiaru temperatury dokonywanego przez czujnik ETOG, należy postępować zgodnie z poniższym opisem:

1. Odłączyć czujnik od zacisków 11 i 12 (ogrzewanie czujnika) ETO2.
2. Począkać kilka godzin, aż temperatura czujnika zrówna się z temperaturą gruntu.
3. Zmierzyć faktyczną temperaturę gruntu/czujnika i porównać ją z wynikiem na wyświetlaczu ETO2.
4. Zaprogramować przesunięcie temperatury niwelujące różnicę pomiaru (między temperaturą na wyświetlaczu a faktyczną zmierzoną temperaturą). Niezbędne przesunięcie należy ustawić przy pomocy przycisku programującego. Nacisnąć OK.
5. Ponownie podłączyć czujnik do zacisków 11 i 12 ETO2.

UWAGA: W przypadku czujnika ETOG-55, temperatura na wyświetlaczu ETO2 jest zawsze temperaturą rdzenia czujnika.

## USTAWIENIA FABRYCZNE

USTAWIENIA	USTAWIENIA FABRYCZNE	USTAWIENIA UŻYTKOWNIKA
Rodzaj regulacji	Elektryczny układ grzejny	
Strefa 1	ETOG	
Strefa 2	OFF	
Skala temperatury	Celsjusza	
Żądany czas ogrzewania dla strefy 1	2,00 godziny	
Żądany czas ogrzewania dla strefy 2	2,00 godziny	
Przesunięcie temp., strefa 1	0,0°C / 0.0°F	
Przesunięcie temp., strefa 2	0,0°C / 0.0°F	
Przesunięcie temp., ETF	0,0°C / 0.0°F	
Temperatura nastawy, strefa 1+2	3,0°C / 37.4°F	
Temperatura wyłączenia, strefa 1+2	OFF	
Ogrzewanie czujnika, strefa 1+2	AUTO (TRYB AUTOMATYCZNY)	
Kontrola wilgotności, strefa 1+2	ON	
Czułość, strefa 1+2	NORM	
Min. temp. wody	5°C / 41°F	
Maks. temp. wody	55°C / 131°F	



## ROZWIĄZYWANIE PROBLEMÓW

W przypadku pojawienia się nieprawidłowości w działaniu systemu przeciwooblodzeniowego, należy sprawdzić ustawienia ETO2. Naciskając pokrętko regulacyjne wejdź do menu i naciśnij „SHOW INFO” („POKAŻ INFO”), aby uzyskać podgląd ustawień. Jeśli zawierają one błędy, aktywuj „REINSTALL” („PRZEINSTALUJ”) za pomocą fabrycznego kodu 1202.

Sprawdź, czy wszystkie połączenia są prawidłowe i czy przewody są dobrze umocowane na zaciskach. Odpowiedzi na najczęściej zadawane pytania znajdują się na naszej stronie internetowej: [www.ojelectronics.com / support / FAQ - Snowmelting](http://www.ojelectronics.com/support/FAQ-Snowmelting).

### Lód/śnieg nie topnieje

- **Czy na wyświetlaczu znajduje się komunikat „HEAT ON” („OGRZEWANIE WŁĄCZONE”) w strefie 1 / 2?**

#### **TAK :**

- o Odczekaj 1-2 godziny.
- o Sprawdź, czy warstwa śniegu zaczyna się roztopiać od spodu. Jeśli tak, to system jest sprawny.
- o Sprawdź stan przewodów grzewczych pod kątem usterek i nieprawidłowych bądź poluzowanych połączeń.
- o Być może jest zbyt zimno, by system działał efektywnie (niewystarczająca moc/m<sup>2</sup>), tj. przewody grzewcze lub instalacja ogrzewania wodnego są niedowymiarowane.

**NIE :**

- o Temperatura jest wyższa niż „SET TEMP” („TEMPERATURA USTAWIONA”). Ustaw wyższą wartość temperatury „SET TEMP”.
- o Śnieg wokół czujnika gruntowego roztopił się lub wiatr odsłonił czujnik. Ustaw dłuższy czas działania ogrzewania „AFTERRUN” („CZAS DZIAŁANIA”). Alternatywnie można uruchomić FORCED HEAT (OGRZEWANIE WYMUSZONE).
- o Wokół czujnika utworzył się „efekt igloo” w postaci pustej zamkniętej komory wytopionej w śniegu. Uruchomić FORCED HEAT lub ustawić MOIST SENSOR (CZUJNIK WILGOTNOŚCI) w pozycji OFF.
- o Temperatura jest niższa niż ustawienie OFF TEMP (TEMPERATURA WYŁĄCZENIA).  
Zależnie od wydajności systemu grzewczego, może on mieć niższą dolną granicę temperatury, przy której następuje roztopianie śniegu i lodu. Przed zmianą wartości „OFF TEMP” spróbuj opcji „FORCED HEAT”.

**Po roztopieniu śniegu i lodu nie następuje wyłączenie ogrzewania**

- o Czas „AFTERRUN” jest zbyt długi, skróć go, a następnie aktywuj „RESTART” w menu.
- o Wykrywanie wilgoci przez czujnik ETOG/ETOR jest wyłączone – w menu należy ustawić MOIST CTRL (KONTROLA WILGOTNOŚCI) w pozycji ON.

Jeśli kontrolka „ALARM” miga na czerwono, oznacza to, że wystąpił jeden z poniższych błędów. W menu „ALARM” wyświetla się odpowiedni komunikat:

- "RETURN TEMP LOW"** - Za niska temperatura wody na linii powrotnej.
- "SUPPLY TEMP HIGH"** - Za wysoka temperatura wody zasilającej.
- "RETURN SENSOR"** - Uszkodzony czujnik na linii powrotnej.
- "SUPPLY SENSOR"** - Uszkodzony czujnik na linii zasilającej.
- "TEMP SENSOR 1"** - Uszkodzony czujnik temperatury 1 (gruntowy lub dachowy).
- "TEMP SENSOR 2"** - Uszkodzony czujnik temperatury 2 (gruntowy lub dachowy).
- "OUTDOOR SENSOR"** - Uszkodzony czujnik zewnętrzny.
- "SENSOR HEATER"** - Zwarcie elementu pomiarowego w czujniku gruntowym lub dachowym.
- "FROST PROTECT"** - Ochrona przed zamarzaniem aktywna z powodu niskiej temperatury wody powrotnej (dotyczy tylko instalacji ogrzewania wodnego).

**СОДЕРЖАНИЕ**

Специальные термины . . . . .	Стр. 52
Введение . . . . .	Стр. 53
Запуск . . . . .	Стр. 54
Использование . . . . .	Стр. 56
Главное меню . . . . .	Стр. 56
Текст на дисплее . . . . .	Стр. 57
Информация об использовании . . . . .	Стр. 58
Установки. . . . .	Стр. 59
Калибровка датчика . . . . .	Стр. 64
Перезапуск . . . . .	Стр. 64
Заводские установки . . . . .	Стр. 65
Выявление неисправностей . . . . .	Стр. 69

**СПЕЦИАЛЬНЫЕ ТЕРМИНЫ**

Зона 1, 2:	Независимые зоны обогрева, в которых снег и лед может быть растоплен.
Кодирующая кнопка:	При повороте или нажатии на нее можно легко произвести необходимые установки.
ETOG-55:	Датчик для грунта, регистрирующий влажность и температуру.
ETOR-55:	Датчик для водостоков, регистрирует влажность.
ETF-744/99:	Наружный датчик температуры.
Y/Δ:	Усовершенствованное 2-х ступенчатое управление электрическими нагревательными системами.
ДОНАГРЕВ:	После исчезновения сигнала о наличии влаги/температуры система еще какое-то время остается в работе.

## ВВЕДЕНИЕ

Контроллер типа ETO2 работает полностью в автоматическом режиме, экономично управляя работой систем снеготаяния на открытых площадках и в водостоках. Лед образуется при наличии двух факторов – низкой температуры и влажности. ETO2 регистрирует как температуру, так и влажность и нагревательная система включается только при наличии обоих параметров, способствующих появлению снега или образованию льда.

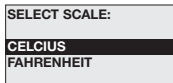
Простота управления при помощи кодирующей кнопки и графический дисплей с подсветкой обеспечивают быструю установку необходимой конфигурации системы и индикацию температуры, состояния и т. д.

Контроллер ETO2 может управлять работой нагревательного кабеля в одной или в 2-х зонах. Двухступенчатое усовершенствованное управление выходом также предназначено для экономичной работы системы.

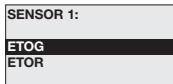
Кроме того, контроллер можно использовать для управления водяными нагревательными системами, насосами и кранами-смесителями. Для экономии потребления энергии существует функция 2-х ступенчатого регулирования выхода.

Для водяных систем датчик температуры во время работы системы обеспечивает необходимую температуру воды на входе. При необходимости увеличения нагрева пускается циркуляционный насос, а клапан открывается на 1 мин на 20% для стабилизации работы системы. Затем пускается основной насос. После исчезновения необходимости работы системы снеготаяния циркуляционный насос пускается через каждые 15 минут на 1 мин для того, чтобы температуры воды на возврате в систему не падала ниже заданной для «неработающей системы». Если это случается, то система полностью активируется для увеличения температуры воды, возвращаемой в систему до заданного значения.

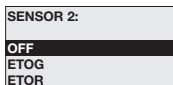
## ЗАПУСК



При первом включении ETO2 необходимо выбрать температурную шкалу в градусах Цельсия (CELSIUS) или Фаренгейта (FAHRENHEIT).  
Поверните кнопку управления до появления необходимой температурной шкалы. Нажмите кнопку (OK) для фиксации установки.



На дисплее появится символ ДАТЧИК 1. Выберите датчик, который необходимо подключить к входу 1:  
ETOG: Датчик для грунта  
ETOR: датчик для водостоков + наружный датчик температуры  
Затем нажмите кнопку (OK) для фиксации установки.



На дисплее появится символ ДАТЧИК 2. Выберите датчик, который необходимо подключить к входу 2. Если нет необходимости подключать датчик к входу 2 – выберите символ OFF.

OUTDOOR SENSOR:
OFF
ETF

Выберите наружный датчик температуры ETF, подключенный к клеммам 31-32. Если датчик не подключен – выберите символ ВЫКЛ. Нажмите кнопку (ОК) для фиксации установки.

APPLICATION:
ELECTRIC 1-ZONE
ELECTRIC 2-ZONE
ELECTRIC 2-STEP
WATER BASED

Выберите тип используемой системы обогрева при помощи вращения и нажатия кнопки (ОК).

**ЭЛЕКТРИЧЕСКИЙ 1-ЗОНА:** управление электрическим/водяным обогревом в зоне 1.

**ЭЛЕКТРИЧЕСКИЙ 2-ЗОНЫ:** управление электрическим/водяным обогревом в 2-х различных зонах.

**ЭЛЕКТР. 2-СТУП:** Усовершенствованное 2-х ступенчатое управление электрическим обогревом (Y/Δ) для зоны 1.

**ВОДЯНОЙ ОБОГРЕВ:** управление водяным обогревом в зоне 1 с регулированием температуры воды на подаче в систему..

Выберите нужную опцию и нажмите ОК. Конфигурация системы закончена, и она начнет работать полностью в автоматическом режиме по заданным стандартным программам (см. ЗАВОДСКИЕ УСТАНОВКИ). Можно также установить свои значения параметров, см. УСТАНОВКИ.

ZONE 1 HEAT	OFF
ZONE 2 HEAT	OFF
AFTERRUN 1	0.00
AFTERRUN 2	0.00
STANDBY	OFF

Состояние системы и параметры донагрева для зон 1 и 2 показаны на дисплее.

## ИСПОЛЬЗОВАНИЕ

ETO2 имеет легкоуправляемую кодирующую кнопку (кнопку управления - повернуть и нажать) и дисплей, на котором отображается состояние системы. Дисплей имеет подсветку, которая загорается при нажатии кнопки (ОК). Подсветка автоматически гаснет через 30 сек.

Нажмите на кнопку управления и на дисплее появится главное меню. Поворачивайте кнопку для просмотра опций. Одновременно на дисплее не могут быть отображены все опции. Для перехода к нужной опции поворачивайте кнопку управления. Нажмите ОК для выбора выделенной на дисплее опции.

## ГЛАВНОЕ МЕНЮ

ZONE 1	OFF
ZONE 2	OFF
SENSOR 1	##.##°C
SENSOR 2	##.##°C
MOIST 1	NO
MOIST 2	NO
OUT. TEMP	##.##°C
SUPPLY W.	##.##°C
RETURN W.	##.##°C
ALARM	NO
SHOW INFO	
SETUP	
RESTART	
EXIT	



**ТЕКСТ НА ДИСПЛЕЕ**

- ZONE 1**      **OFF**      Зона нагрева 1 включена (ВКЛ) или выключена (ВЫКЛ).
- ZONE 2**      **OFF**      Зона нагрева 2 включена (ВКЛ) или выключена (ВЫКЛ).
- SENSOR 1**    **##.##°C**      Датчик 1 с внутренним подогревом. ETOG работает только в том случае, если он установлен и подключен.  
ВНИМАНИЕ: не измеряет температуру окружающей среды!
- SENSOR 2**    **##.##°C**      Датчик 2 с внутренним подогревом. ETOG работает только в том случае, если он установлен и подключен.  
ВНИМАНИЕ: не измеряет температуру окружающей среды!
- MOIST 1**      **NO**          Состояние датчика влажности 1. ДА / НЕТ / Пробел. Пробел будет на дисплее в том случае, если температура выше заданной или система работает в режиме донагрева.
- MOIST 2**      **NO**          Состояние датчика влажности 2. ДА / НЕТ / Пробел. Пробел будет на дисплее в том случае, если температура выше заданной или система работает в режиме донагрева.

<b>OUT TEMP</b> <b>##.##°C</b>	Наружная температура. Индикация только в том случае, если датчик ETF установлен и подключен.
<b>SUPPLY W.</b> <b>##.##°C</b>	Температура воды на входе (только для водяных систем обогрева).
<b>RETURN W.</b> <b>##.##°C</b>	Температура воды на выходе (только для водяных систем обогрева).
<b>ALARM</b> <b>NO</b>	Сообщение о типе неисправности высвечивается на дисплее. На передней панели светодиодный индикатор мигает красным цветом.

## ИНФОРМАЦИЯ ОБ ИСПОЛЬЗОВАНИИ

### SHOW INFO

<b>APP:</b> <b>E. 1-ZONE</b>	Тип нагревательной системы: электрическая или водяная.
<b>SW VERSION</b> <b>1.00</b>	Версия программного обеспечения
<b>SENSOR 1</b> <b>ETOG</b>	Тип датчика, датчик 1
<b>SENSOR 2</b> <b>OFF</b>	Тип датчика, датчик 2

**SENSOR ETF OFF**

Подключен датчик ETF

**EXIT**

Возврат в главное меню

## УСТАНОВКИ

Пожалуйста, обратите внимание, что некорректная установка датчика может привести к неэффективной работе системы снеготаяния.

Нажмите ОК и на дисплее появится подменю.

Выберите нужный параметр и нажмите ОК.

**SETUP****FORCE HEAT OFF**

Включение нагрева вручную. Нажмите ОК и выберите ВКЛ. для включения нагрева. Контроллер ETO2 включит нагрев на заранее запрограммированное время, см. ДОНАГРЕВ 1 и 2.

**SELECT SCALE C**

Здесь можно выбрать используемую температурную шкалу в градусах Цельсия или Фаренгейта. Выберите нужную шкалу и нажмите ОК. Нажмите ОК для возврата в раздел УСТАНОВКИ в меню.

**SET TEMP 1 3.0C**

Установка температуры для зоны 1: температура, при которой включается система снеготаяния, может быть установлена здесь. Температура может быть установлена в диапазоне +50 / -20°C (122/ -4°F). Установите необходимую температуру и нажмите ОК.

**SET TEMP 2 3.0C**

Установка температуры для зоны 2: температура, при которой включается система снеготаяния, может быть установлена здесь. Температура может быть установлена в диапазоне +50 / -20°C (122/ -4°F). Установите необходимую температуру и нажмите ОК.

**OFF TEMP 1 OFF**

Наименьшая рабочая температура для зоны 1 может быть установлена здесь. Ниже этой температуры контроллер будет находиться в режиме ожидания. Диапазон регулировки до -20°C/ВЫКЛ. (-3.9°F/ВЫКЛ.). ВЫКЛ = нет ограничения. Для изменения минимальной температуры отключения нажмите ОК и поверните кодирующую кнопку на нужное значение, после чего зафиксируйте установку нажатием ОК.

**OFF TEMP 2 OFF**

Наименьшая рабочая температура для зоны 2 может быть установлена здесь. Диапазон регулировки до -20°C/ВЫКЛ. (-3.9°F/ВЫКЛ.). ВЫКЛ = нет ограничения. Для изменения минимальной температуры отключения нажмите ОК и поверните кодирующую кнопку на нужное значение, после чего зафиксируйте установку нажатием ОК.

**AFTERRUN 1 2:00**

Установка времени донагрева для Зоны 1: Здесь можно установить время донагрева, т.е. принудительной работы системы от 0 до 18 часов. После исчезновения сигнала о наличии влаги/температуры система остается в работе в течение установленного времени. Необходимое время работы системы устанавливается при помощи кнопки управления и затем фиксируется нажатием ОК.

**AFTERRUN 2 2:00**

Установка времени донагрева для Зоны 2: Здесь можно установить время донагрева, т.е. принудительной работы системы от 0 до 18 час. Необходимое время работы системы устанавливается при помощи кнопки управления и затем фиксируется нажатием ОК.

**OFFSET T1 0.0C**

Калибровку датчика температуры в зоне 1 можно произвести здесь. При использовании датчика ETOG-55, температура, показанная на дисплее ETO2, всегда будет являться температурой сердцевины датчика. Для калибровки, см. стр. 13.

**OFFSET T2 0.0C**

Калибровку датчика температуры в зоне 2 можно произвести здесь. При использовании датчика ETOG-55, температура, показанная на дисплее ETO2, всегда будет являться температурой сердцевины датчика. Для калибровки, см. стр. 13.

**OFFSET OUT. 0.0C**

Калибровка наружной температуры производится здесь. Температура, регистрируемая датчиком ETF отобразится на дисплее ETO2. Замерьте температуру рядом с датчиком при помощи термометра. Введите необходимую поправку при помощи кнопки управления. Нажмите ОК.

**MIN WATER 5.0C**

Минимальная температура воды на выходе может быть установлена здесь. Установите необходимую минимальную температуру и нажмите ОК. Данная опция меню доступна только при использовании водяной системы обогрева.

**MAX WATER 55.0C**

Максимальная температура воды на входе может быть установлена здесь. Установите необходимую максимальную температуру и нажмите ОК. Данная опция меню доступна только при использовании водяной системы обогрева.

**SENSORHEAT AUTO**

В автоматическом режиме работы подогрев датчика отключается во время периодов работы системы снеготаяния. В особых случаях или при слишком холодной погоде можно включить постоянный подогрев датчика. Выберите ВКЛ. и нажмите ОК.

**MOIST CTRL ON**

Контроль влажности на датчике можно выключить здесь. Термостат будет регулировать только заданную температуру, см. УСТ. ТЕМП. Выберите ВЫКЛ. для выключения контроля влажности и нажмите ОК.

Обратите внимание на большое потребление энергии и соответствующие затраты при контроле влажности.

**SENSITIVITY NORM**

Можно установить 5 степеней чувствительности датчика: МИН – НИЗК – НОРМ – ВЫСОК - МАКС. Измените чувствительность нажатием ОК и поворотом кодирующей кнопки до нужного значения, после чего зафиксируйте установку нажатием ОК.

**FACTORY RESET**

Все заводские установки ETO2 могут быть восстановлены здесь. При выборе данной опции отменяются все самостоятельно произведенные установки.

**REINSTALL**

REINSTALL  
PASSWORD      **xxxx**

Применяется при сбоях в меню при запуске или после подключения устройств. Прежде всего, установки должны быть изменены в разделе меню ЗАПУСК. Выберите ПАРОЛЬ и поверните кнопку управления на заводской код (1202). Контроллер возвратиться в меню запуска, см. ЗАПУСК.

**EXIT**

Выберите данную опцию и нажмите ОК для возврата в главное меню.

## ПЕРЕЗАПУСК

При изменении установок или необходимости нового пуска, ETO2 можно перезапустить, используя данное меню.

**RESTART**

Процесс перезапуска. Сохраняются Ваши текущие установки. На дисплее ETO2 отображается первоначальное состояние контроллера.

## КАЛИБРОВКА ДАТЧИКА

При необходимости приведения температуры, измеренной датчиком ETOG в соответствие с фактической температурой, выполните следующие действия:

1. Отключите датчик от клемм 11 и 12 (подогрев датчика) на ETO2.
2. Подождите несколько часов, пока температура датчика не сравняется с температурой грунта.
3. Измерьте фактическую температуру грунта/датчика и сравните ее с показаниями температуры, на дисплее ETO2.
4. Введите поправку для соответствующего датчика для устранения погрешности между замеренной и фактической температурой. Необходимая поправка вводится при помощи кодирующей кнопки. Нажмите ОК.
5. Снова подключите датчик к клеммам 11 и 12 на ETO2.

**ВНИМАНИЕ:** При использовании датчика ETOG-55, температура, показанная на дисплее ETO2, всегда будет являться температурой сердцевины датчика.



## ЗАВОДСКИЕ УСТАНОВКИ

НАСТРОЙКИ	ЗАВОДСКИЕ УСТАНОВКИ	СОБСТВЕННЫЕ УСТАНОВКИ
Тип системы	Электрическая	
Зона 1	ETO2	
Зона 2	ВЫКЛ.	
Выбранная шкала	Градусы Цельсия	
Время донагрева для Зоны 1	2.00 часа	
Время донагрева для Зоны 2	2.00 часа	
Калибровка температуры в Зоне 1	0.0°C / 0.0°F	
Калибровка температуры в Зоне 2	0.0°C / 0.0°F	
Калибровка температуры для ETF	0.0°C / 0.0°F	
Установка темп. в зоне 1+2	3.0°C / 37.4°F	
ОТКЛ. контроля темп. в зоне 1+2	ОТКЛ.	
Подогрев датч. в зоне 1+2	АВТ.	
Контроль влажн. в зоне 1+2	ВКЛ.	
Чувствит. датч. в зоне 1+2	НОРМ.	
Мин. температура воды	5°C / 41°F	
Макс. температура воды	55°C / 131°F	

## ВЫЯВЛЕНИЕ НЕИСПРАВНОСТЕЙ

При неполадках в работе системы снеготаяния рекомендуется проверить настройку ETO2. Активируйте меню контроллера нажатием регулировочной кнопки, затем нажмите просмотр информации SHOW INFO и посмотрите запрограммированное применение устройства. При ошибках в настройке активируйте функцию переустановки REINSTALL при помощи заводского кода 1202. Проверьте правильность всех соединений и крепления кабелей. Для получения ответов на часто задаваемые вопросы, посетите web-страничку нашей компании [www.ojelectronics.com / support / FAQ - Snow melting](http://www.ojelectronics.com/support/FAQ-Snow-melting).

### Лед/снег не растапливается

- **Изображено ли на дисплее включение нагрева HEAT ON в зоне 1 / 2?**

#### **ДА:**

- Подождите 1-2 часа.
- Проверьте снежный покров, если снег начинает таять, система исправна.
- Проверьте исправность нагревательных кабелей на предмет плохого или неправильного соединения.
- Очень низкая температура для таяния снега или недостаточное количество нагревательных кабелей/ водяных труб в системе (недостаточно энергии на м2).

- Изображено ли на дисплее включение нагрева HEAT ON в зоне 1 / 2?

**НЕТ:**

- Температура выше, чем установленная SET TEMP. Установите регулятор SET TEMP на более высокое значение температуры.
- Снег вокруг датчика грунта растаял. Увеличьте время принудительной работы системы. Как вариант может быть включен принудительный нагрев.
- Снежный сугроб вокруг датчика. Датчик грунта находится в растопленной полости под снегом. Включите принудительный нагрев или, как вариант, отключите датчик влажности (установите ДАТЧ. ВЛАЖН. на ВЫКЛ).
- Температура ниже, чем установка ТЕМП. ОТКЛ (заводская установка составляет -10° C). В зависимости от размеров система имеет нижнее ограничение температуры, при котором она может растапливать снег. Сначала попробуйте растопить снег при помощи принудительного нагрева FORCE HEAT, перед тем, как изменить установку температуры OFF TEMP.

**Нагрев не отключается после растапливания снега/льда**

- Время принудительного нагрева слишком большое – уменьшите время нагрева AFTERRUN и активируйте функцию перезапуска RESTART в меню.
- Отключен контроль влажности на датчике ETOG/ETOR – включите контроль влажности в меню.

Если индикатор ALARM мигает красным цветом, имеет место одна из следующих неисправностей. Это можно посмотреть в разделе меню: ALARM.

- "RETURN TEMP LOW"** - Слишком низкая температура воды в трубопроводе возврата воды в систему.
- "SUPPLY TEMP HIGH"** - Слишком высокая температура воды в трубопроводе подачи воды в систему.
- "RETURN SENSOR"** - Неисправность датчика температуры на возврате воды в систему.
- "SUPPLY SENSOR"** - Неисправность датчика температуры на подаче воды в систему.
- "TEMP SENSOR 1"** - Неисправность датчика температуры 1 на крыше или в грунте.
- "TEMP SENSOR 2"** - Неисправность датчика температуры 2 на крыше или в грунте.
- "OUTDOOR SENSOR"** - Неисправность наружного датчика температуры.
- "SENSOR HEATER"** - Короткое замыкание в нагревательном элементе датчика грунта или крыши.
- "FROST PROTECT"** - Активирован режим предотвращения замерзания из-за низкой температуры воды на возврате в систему (только для водяных нагревательных систем).

# ETO2

Fig. 1 ETOG-55 Installation

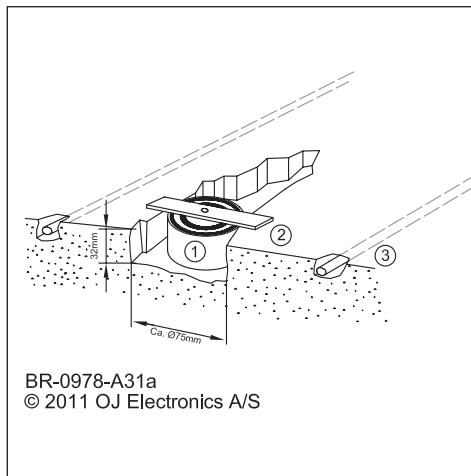
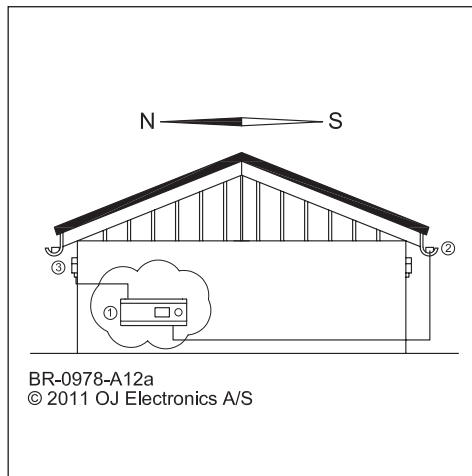


Fig. 2 ETOR-55 Installation



# ETO2

Fig. 3 Electric 1-zone with ETOG-55 sensor

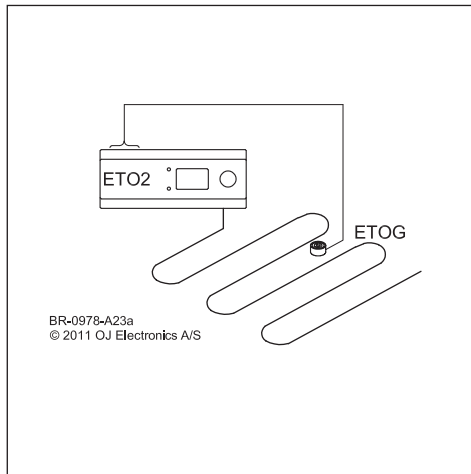
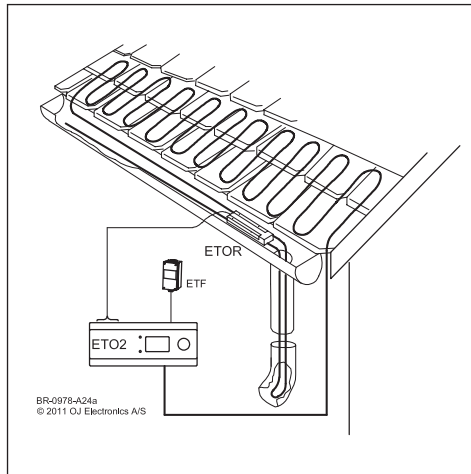


Fig. 4 Electric 1-zone with ETOR-55 / ETF



# ETO2

Fig. 5 Electric 2-zone with ETOG, ETOR and ETF

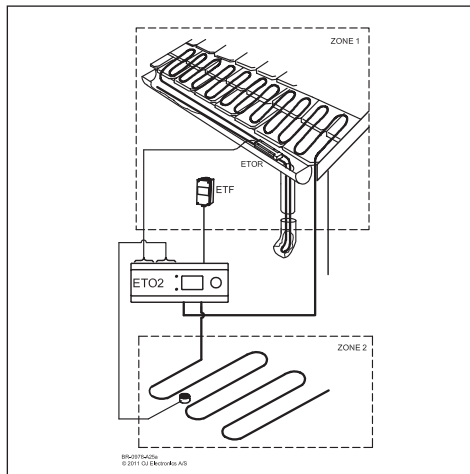
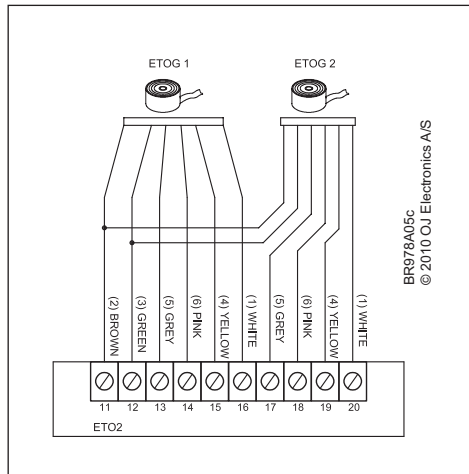


Fig. 6 ETOG-55 connections



# ETO2

Fig. 7 ETO2-55 connections

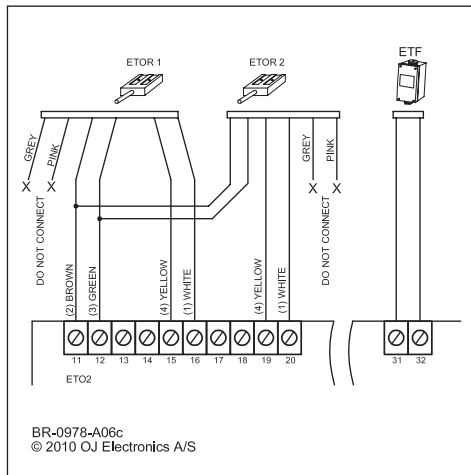
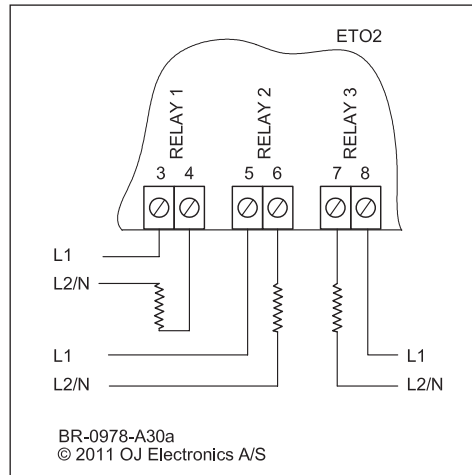


Fig. 8 Electric heating cable connections





# ETO2

Fig. 9 Advanced 2-step with ETOG-55. 1/3 power on heating cables in afterrun.

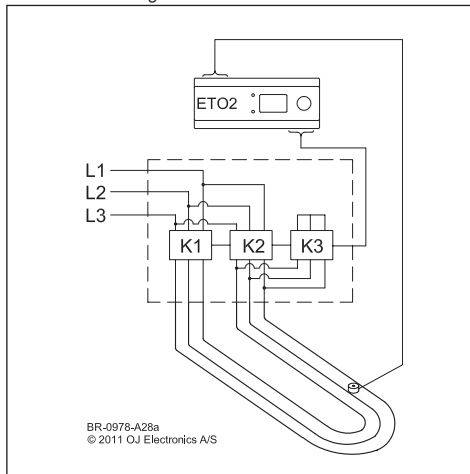
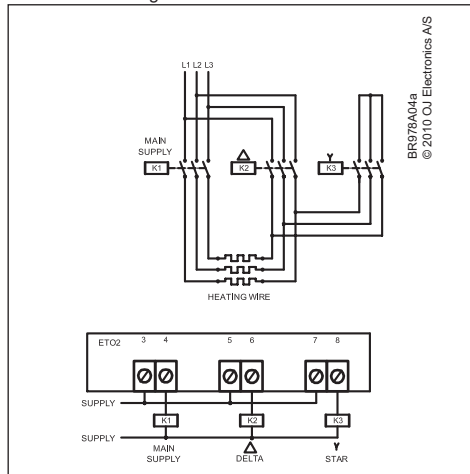


Fig. 10 Advanced 2-step connections. 1/3 power on heating cables in afterrun.



# ETO2

Fig. 11 Hydronic heating with mixing valve

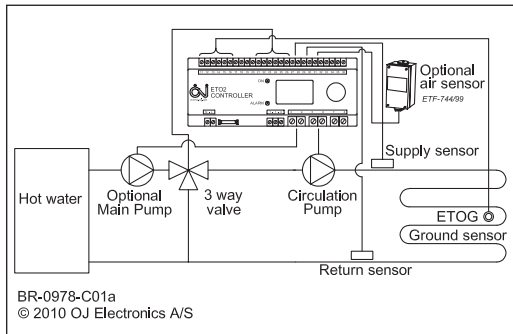
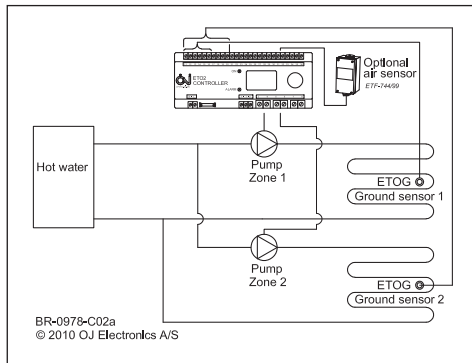


Fig. 12 Hydronic, simple application



# ETO2

Fig. 13 Hydronic mixing valve connection

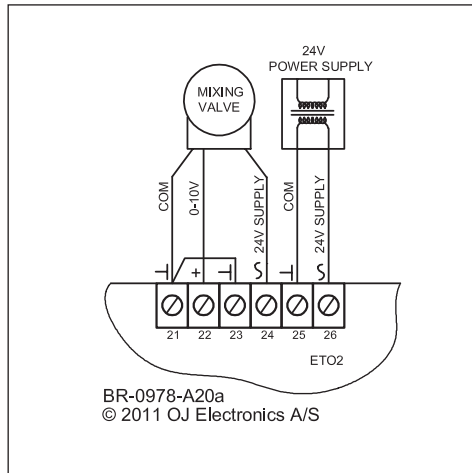


Fig. 14 Hydronic pump connection

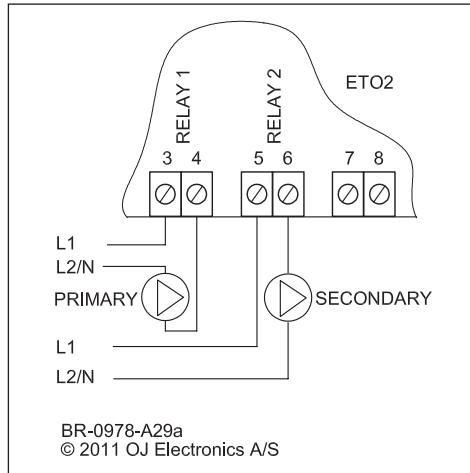
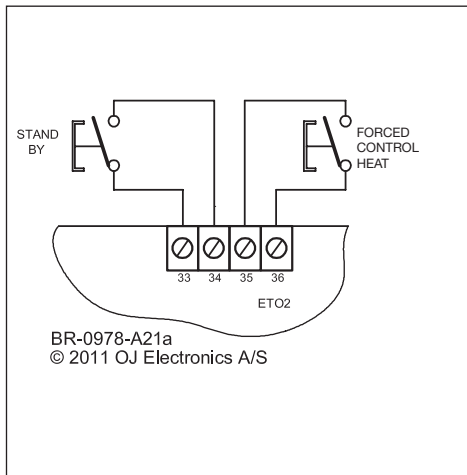
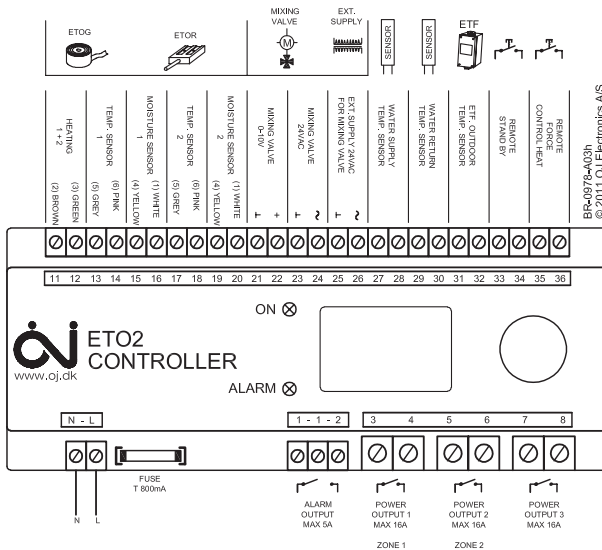


Fig. 15 Connection of Stand by & forced heat



# ETO2

Fig. 16



BR-0978-A03h  
© 2011 OJ Electronics A/S

# *ETO2*

# *ETO2*

**OJ ELECTRONICS A/S**

Stenager 13B · DK-6400 Sønderborg

Tel.: +45 73 12 13 14 · Fax +45 73 12 13 13

oj@ojelectronics.com · www.ojelectronics.com

The trademark is registered and belongs to OJ Electronics A/S · © 2011 OJ Electronics A/S



57652F